

## Item description/product images



### Description

**Material:**

1.1141 steel or 1.4301 stainless steel.

**Version:**

Steel: drop forged.

Stainless steel: cast.

**Note:**

DIN 582 steel ring nuts:

For high demand lifting and handling functions in safety relevant areas (machine construction, lifting units, lifting tackle).

Stainless steel ring nuts similar to DIN 582:

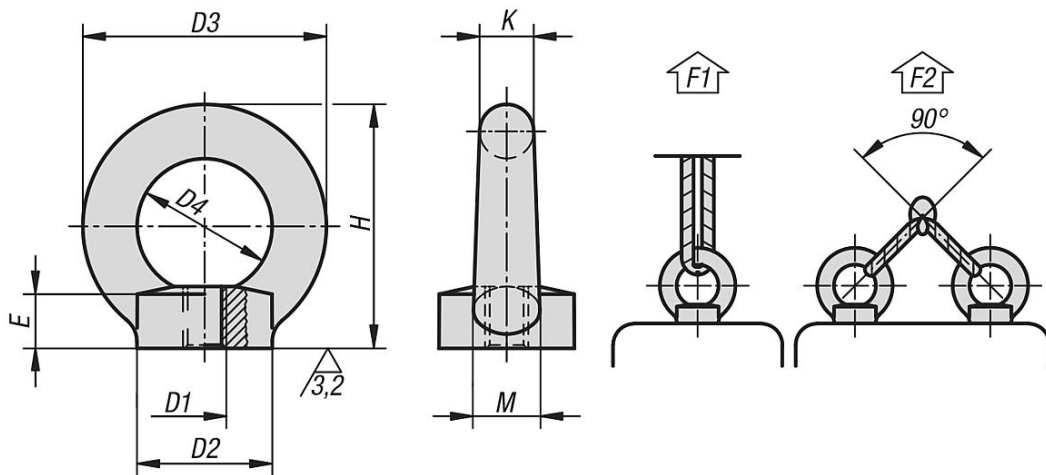
For light lifting, and handling functions without special requirement, e.g. fence construction, chain barriers and light machining.

F2 load handling with max. 45° sling angle per ring nut.

**On request:**

Available with CE marking and certificate of conformity.

## Drawings



## Overview of items

### Ring nuts DIN 582 / stainless similar to DIN 582

Order No.	Main material	D1	D2	D3	D4	E	H	K	M	F1 max. kN	F2 max. kN
K0768.08	Steel	M8	20	36	20	8,5	36	8	10	1,4	0,95
K0768.10	Steel	M10	25	45	25	10	45	10	12	2,3	1,7
K0768.12	Steel	M12	30	54	30	11	53	12	14	3,4	2,4
K0768.16	Steel	M16	35	63	35	13	62	14	16	7	5
K0768.20	Steel	M20	40	72	40	16	71	16	19	12	8,3
K0768.24	Steel	M24	50	90	50	20	90	20	24	18	12,7
K0768.108	Stainless steel	M8	20	36	20	8,5	36	8	10	1,4	0,95
K0768.110	Stainless steel	M10	25	45	25	10	45	10	12	2,3	1,7
K0768.112	Stainless steel	M12	30	54	30	11	53	12	14	3,4	2,4
K0768.116	Stainless steel	M16	35	63	35	13	62	14	16	7	5

# Ring nuts DIN 582 / stainless steel similar to DIN 582

## Overview of items

Order No.	Main material	D1	D2	D3	D4	E	H	K	M	F1 max. kN	F2 max. kN
K0768.120	Stainless steel	M20	40	72	40	16	71	16	19	12	8,3